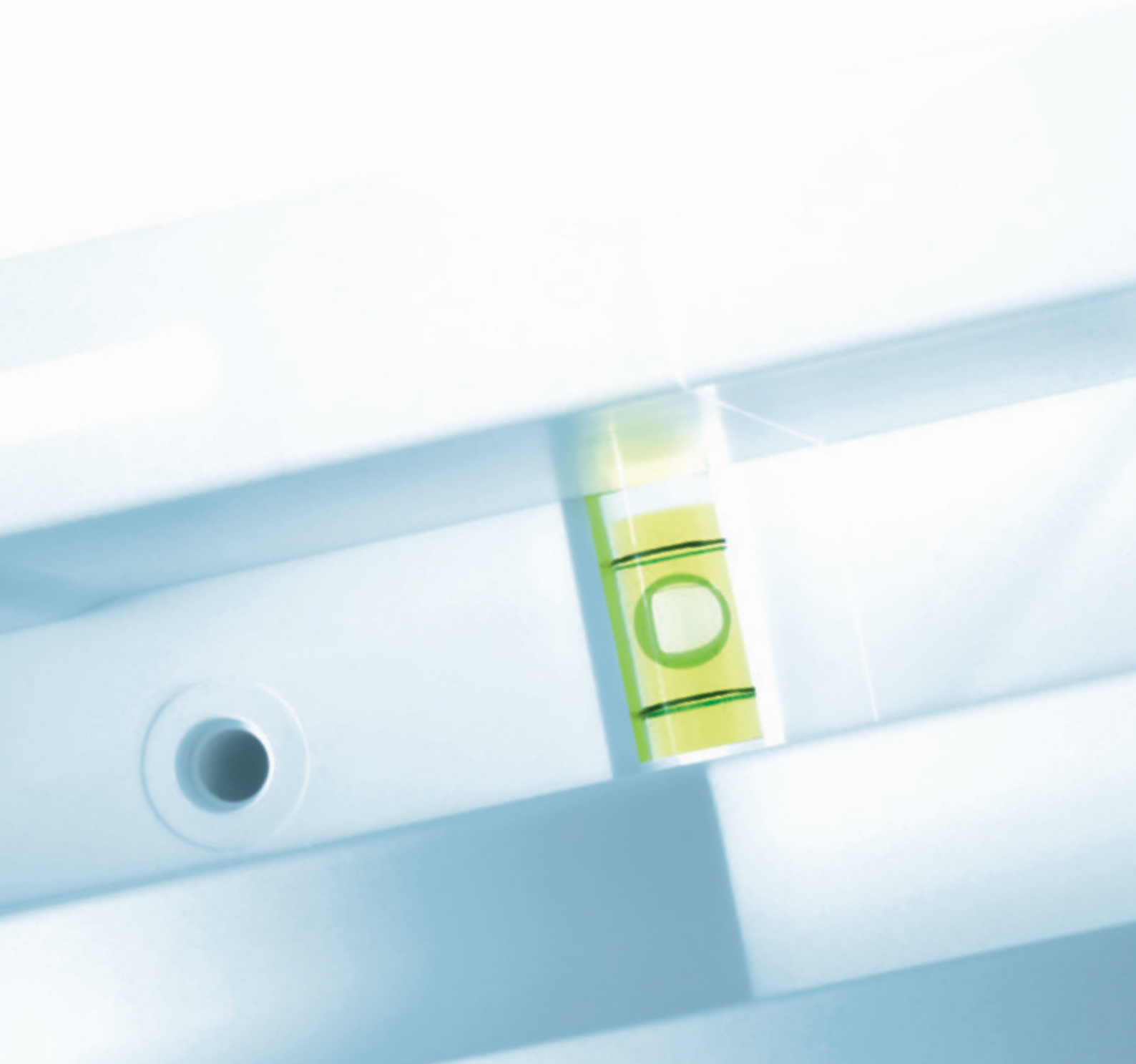


Enclosures

The new generation

Hager enclosures are available in many sizes ranging from the 2 to 10 modules insulated Mini Gamma, 3 to 36 module IP55 Weather Proof, Volta II Flush and Vector II multi row enclosures plus the Metal and GRP range of IP65 Orion Plus enclosures.



Mini Gamma Enclosures	2.2
Vector II Weather Proof Enclosures	2.4
Vega Surface Mounting Enclosures	2.5
Volta II Flush Mounting Enclosures	2.6
Enclosures & Accessories	2.9
Orion Plus Metal IP65 Enclosures & Accessories	2.10
Orion Plus GRP IP65 Enclosures & Accessories	2.11
Brass Terminals $\leq 60A$	2.13
Rail Mounted Terminals	2.14
Insulated Busbars Prong	2.15
Insulated Busbars Fork	2.16

Insulated enclosures 1 row from 2 to 10 modules.

Surface mounted enclosures, with a rigid, chassis, housing a DIN rail.

Supplied with Earth terminals (except GD102E), marking labels and sealing grommets to maintain Class II.

Options (see page 2.3):

- Keylock
- Plain or transparent door
- Terminals and terminal supports

For dimensions see page 2.17.

Mini Gamma Enclosures

Description	Cat ref.
2 Modules compatible with WAGO type 273 connector block (not supplied).	GD102E
4 Modules E: 2 x 16 + 2 x 10mm ² (capacity to fit an additional 4 hole terminal bar on existing support)	GD104E
6 Modules E: 2 x 16 + 2 x 10mm ² (capacity to fit an additional two 4 hole terminal bars or one 7 hole terminal bar on existing support)	GD106E
8 Modules E: 3 x 16 + 4 x 10mm ² (capacity to fit an additional two 4 hole terminal bars or one 7 hole terminal bar on existing support)	GD108E
10 Modules E: 3 x 16 + 4 x 10mm ² (capacity to fit an additional three 4 hole terminal bars or two 7 hole terminal bars on existing support)	GD110E



GD102E



GD106E



GP108P

Mini Gamma Plain Doors

Plain door with integrated handle (use of door increases IP rating to IP40)

For Cat ref.	Cat ref.
GD102E	GP102P
GD104E	GP104P
GD106E	GP106P
GD108E	GP108P
GD110E	GP110P



GP110T

Mini Gamma Transparent Doors

Transparent door with integrated handle (use of door increases IP rating to IP40)

For Cat ref.	Cat ref.
GD102E	GP102T
GD104E	GP104T
GD106E	GP106T
GD108E	GP108T
GD110E	GP110T

Terminal Support

(no terminals)

For Cat ref.	Cat ref.
GD104E	GZ104S
GD106E	GZ106S
GD108E	GZ108S
GD110E	GZ110S

Terminals (63A Rating)

Cable capacity	Neutral (blue) Cat ref.	Earth (green) Cat ref.
2 x 16mm ² + 2 x 10mm ²	GZ04N	GZ04E
3 x 16mm ² + 4 x 10mm ²	GZ07N	GZ07E

Keylock

Description	Cat ref.
Keylock for plain or transparent door	VZ313

Enclosure with door

1 row for 3, 6, 10 and 12 modules
 2 row for 24 modules
 3 row for 36 modules
 Adjustable depth DIN rail (except VE103U).

Supplied with sealing plugs to re-instate IP rating after fixing. Front cover sealing.

Door operation

3-10 modules - vertical hinging retained in open position at 90°
 12-36 modules - horizontal hinging.

Hinging reversible (left or right).

Colour: RAL 7035 (light grey).

Wiring ducts 12 - 36 module enclosures/mini wiring channels left and right ensures conductors are neatly dressed.

IP 55: AC 400V. insulation class: class II

For dimensions see page 2.17.

Vector II Enclosures



VE212U

Description	Moulded blanks (In front cover)	Cat ref.
1 row, 3 modules N: 1 x 25 + 3 x 16, E: 1 x 25 + 5 x 16	2 x 1/2	VE103U
1 row, 6 modules N: 1 x 25 + 5 x 16, E: 1 x 25 + 7 x 16	2 x 1	VE106U
1 row, 10 modules N: 1 x 25 + 9 x 16, E: 1 x 25 + 11 x 16	2 x 1	VE110U
1 row, 12 modules N: 1 x 25 + 10 x 16, E: 1 x 25 + 13 x 16		VE112U
2 rows, 24 modules N: 1 x 25 + 16 x 16, E: 1 x 25 + 16 x 16		VE212U
3 rows, 36 modules N: 1 x 25 + 19 x 16, E: 1 x 25 + 19 x 16		VE312U

Earth and Neutral for TP&N Connection Assembly



VZ428

Description	Cat ref.
3 x (3 x 16mm ² + 2 x 10mm ²) 270mm wide N: 1 x (5 x 16mm ² + 6 x 10mm ²) In: 63A To fit 12 module wide enclosure only	VZ428

Earth and Neutral for Single Phase Connection Assembly

Description	Cat ref.
2 x (3 x 16mm ² + 4 x 10mm ²) 270mm wide In: 63A To fit 12 module wide enclosure only	VZ403

Key Lock

Description	Cat ref.
For all enclosures with 2 keys	VZ311

Sliding Support

Description	Cat ref.
1 Set = 2 Supports for fixing of additional terminal supports in bottom part of enclosure (VE112U and above)	VZ744

IP40 surface mounting enclosures

with transparent or plain doors;
1-3 rows 18 to 54 modules.
63A max. total load.

Enclosures are of an insulating material coloured white RAL 9016.

The enclosures feature a removable chassis with DIN rails for ease of installation.

Top and bottom cable entry plates are removable and interchangeable. The door is also reversible with an integral flush handle.

Options

- Door lock

For dimensions see page 2.18.

Vega Enclosures



VB18B

Description	Quick connect earth terminals	Cat ref. Plain door	Cat ref. Glazed door
1 row, 18 modules	4 x 25mm ² , 14 x 4mm ²	VB18B	VB18R
2 rows, 36 modules	7 x 25mm ² , 25 x 4mm ²	VB36B	VB36R
3 rows, 54 modules	10 x 25mm ² , 34 x 4mm ²	VB54B	VB54R

Vega Accessories



VZ708



VZ707

Description	Characteristics	Pack qty	Cat ref.
Key lock for Vega Enclosures	Supplied with 2 keys	1	VZ310
Connection Assembly 63A	2 x (3 x 16mm ² + 4 x 10mm ²)	1	VZ708
Connection Assembly 63A	2 x (3 x 16mm ² + 2 x 10mm ²)	1	VZ709
Coupling pieces for joining two enclosures		1 set	VZ703
Replacement cable entry plates top or bottom	With circular cut outs for cables and conduits	10	VZ706
	With rectangular cut outs for cable trunking	10	VZ707
Blanking clips to blank out a complete row	1/2 module (8.7mm)	50	P031F
	1 module (17.5mm)	50	P032F
	18 module	10	JP015

Volta II Flush Mounting Enclosures

The new generation

When building or renovating residential buildings, compact solutions are often required for electrical and multimedia installations. The volta small distribution board is especially suitable thanks to its easy assembly in walls as well as its manifold versions with 30% larger wiring space by lateral wiring trunking and larger upper and lower connection areas. The PE/N terminals in the quick-connect version permit easy and safe connection of conductors. Brass terminals are also available.



The advantages for you:

- Protection against power theft - the screws on the device protection cover can be sealed.
- High degree of safety - the door lock can be retrofitted without requiring any additional conversions.
- Installation even in thin walls - the raising frame enables the standard frame to be converted into a flat version with an installation depth of 72mm.
- Now with 30% more wiring space - additional side areas for cable management as well as larger upper and lower connection areas.

Technical data:

- Available from 12 to 48 modules.
- Protected to IP30.
- Base made from high-quality plastic (polystyrene), door and masking frame made of sheet steel.
- Pure white (RAL 9010).

Quick tips

1



30% More Space

Larger upper and lower connection areas offering more space for terminals and wiring.

5



Simple Flush Fixing

By pressing in the screw in the cavity wall anchor, the levers swivel out and click into place.

2



Cable Management

Separate side areas with cable clamps for cable management.

6



Removable Sides

The sides are removed before cables are entered. Pre-punched segments on the side facilitate knockouts.

3



Circuit Plans

Retaining clamps in the door for circuit tables and plans.

7



Quick Cover Connection

New quick connection for the cover - simply turn to secure or release.

4



Miniature Spirit Level

An miniature spirit level is integrated into the wall as an installation aid.

8



Flat Version

Any standard version with 90mm installation depth can be converted into a "flat version" with 72mm installation depth using the raising frame.

IP30 Flush mounting enclosures with doors
 1-4 rows
 12-48 modules
 63A max total load

- Enclosure manufactured from insulated material
- Frame and door manufactured from metal
- Reversible door

- Delivered with earth block, blanking clips and circuit identification labelling
- Integrated spirit level

For dimensions see page 2.18.

Volta II Enclosures



VU12EP

Description	Quick connect earth terminals	Cat ref.
1 row, 12 modules	3 x 25mm ² + 11 x 4mm ²	VU12EP
2 rows, 24 modules	5 x 25mm ² + 17 x 4mm ²	VU24EP
3 rows, 36 modules	6 x 25mm ² + 20 x 4mm ²	VU36EP
4 rows, 48 modules	8 x 25mm ² + 28 x 4mm ²	VU48EP

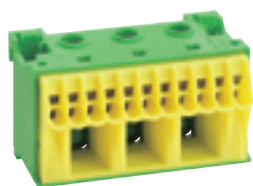
Volta II Accessories



VZ403

Description	Characteristics	Cat ref.
Key lock	Supplied with 2 keys replaces original catch	VZ302N
Connection assembly single phase 63A	2 x (3 x 16mm ² + 4 x 10mm ²) 270mm wide	VZ403
Connection assembly 63A	2 x (3 x 16mm ² + 4 x 10mm ²) 1 x (4 x 16mm ² + 7 x 10mm ²) 270mm wide	VZ428
Mounting kit for partition walls Comprising: • 4 support clamps • 4 screws	For mounting flush enclosures in partition walls	VZ405N

Quick Connect Terminals



KN14E



KN10N



KN99E

Description	Length (mm)	No. Quick Connect Terminals 4mm ²	No. Screw Terminals 25mm ²	Cat ref. Neutral	Cat ref. Earth
6 Connection Terminal Block	30	5	1	KN06N	KN06E
10 Connection Terminal Block	45	8	2	KN10N	KN10E
14 Connection Terminal Block	60	11	3	KN14N	KN14E
18 Connection Terminal Block	75	13	5	KN18N	KN18E
22 Connection Terminal Block	90	16	6	KN22N	KN22E
26 Connection Terminal Block	105	19	7	KN26N	KN26E
Pack of 10 Terminal Interconnectors	-	-	-	KN99N	KN99E

1 row boxes 1-5 modules
 This range is ideally suited for the installation of individual modular devices. (RCCBs, MCBs, RCBO's, Switch Disconnectors etc).

The range is available without door, with plain door or with glazed door.

Where larger cables need to be accommodated for switch disconnectors etc extra cabling space is provided in the extended height versions.

All boxes from 2-5 modules are fitted with an earth bar as standard and for those with doors the catch can be replaced with the optional key locking facility.

- These enclosures feature:
- Ample wiring space
 - Plain or glazed doors
 - Optional key lock

For dimensions see page 2.19.

Enclosures



IU41

Description	Cat ref. Without door	Cat ref. Plain door	Cat ref. Glazed door
1 row 1 module suitable for 1 Module RCBO	IU41	-	-
1 row 2 modules	IU2	IU2/D	IU2/GD
1 row 2 modules extended height	IU42*	IU42/D*	-
1 row 3 modules	IU3	IU3/D	-
1 row 4 modules	IU4	IU4/D	-
1 row 4 modules extended height	IU44*	IU44/D*	IU44/GD*
1 row 5 modules extended height	IU45*	-	-

Note: Recommended maximum cable capacity
 * extended height = 35mm² all other references = 6mm²

Accessories



JK222A

Description	Cat ref.
Keylock with 2 keys suitable for all enclosures fitted with door - IU enclosure	IKL1
Keylock with 2 keys suitable for all enclosures fitted with door - JK enclosure	JK222A
100A double pole switch disconnector	SB299
63A 30mA double pole RCCB	CDC263U
100A 30mA double pole RCCB	CD284U
100A single module terminal Block (MCB profile)	KR50U

Enclosures with plain door
steel colour RAL 7035
insulation class : I

IP 65 / door closed
according to BS EN 60529
1.5mm thick sheet steel for
body and door

These enclosures feature:

- 2 removable gland plates for cable entry on top and bottom
- Earth studs on both body and door
- Door easily removable
- Plain door equipped with one or two locks with triangular 8mm bit centres, located out of the sealed area

Options:

- Key lock
- Wall fixing brackets
- Plain or perforated mounting plate
- Equipment kits for modular devices

For full dimensions see page 2.20.

Orion Plus Metal Enclosures



FL110A

Dimensions Height x Width x Depth (mm)	No. of locks	Cat ref. Plain door	Cat ref. Glazed door
300 x 250 x 160	1	FL102A	-
350 x 300 x 160	1	FL104A	FL154A
350 x 300 x 200	1	FL105A	FL155A
500 x 300 x 200	1	FL110A	FL160A
500 x 400 x 200	1	FL112A	FL162A
650 x 400 x 200	2	FL117A	FL167A
650 x 400 x 250	2	FL118A	FL168A
650 x 500 x 250	2	FL120A	FL170A
800 x 600 x 300	2	FL124A	FL174A
950 x 600 x 300	2	FL126A	FL176A
950 x 800 x 300	2	FL128A	FL178A

Orion Plus Metal Enclosure Accessories



FL96Z

Description	Cat ref.
Key lock to be mounted on the triangular lock	FL96Z
1 set of 2 key locks with male square 8mm, with 1 key	FL80Z
Key lock for FL201B	FL94Z
1 set of 2 locks doublebars 3mm with 1 key	FL95Z
Metallic wall fixing brackets with screws (set of 4)	FL85Z
Kit for earth connection (for metal enclosures)	FL874A
Orion plus spray paint kit (RAL7035)	FL672Z



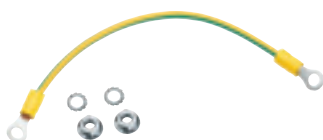
FL80Z



FL95Z



FL85Z



FL874A

Enclosure with plain door

Made of glass reinforced polyester (GRP)
 Colour : RAL 7035
 FL 201B : RAL 7032
 Body made out of one piece up to height 800mm

IP 65 / door closed BS EN 60529
 insulation class : II

These enclosures feature :

- Plain door equipped with one or two locks with triangular 8mm centres, located out of the sealed area, gasket directly moulded on the door
- Studs in the back of the enclosure for mounting plate fastening

Options:

- Key lock
- Wall fixing brackets
- Plain or perforated mounting plate
- Equipment kits for modular devices.

For full dimensions see page 2.21.

Orion Plus GRP Enclosures



FL216B

Dimensions Height x Width x Depth (mm)	No. of locks	Cat ref. Plain door	Cat ref. Glazed door
300 x 250 x 160	1	FL201B ¹	-
350 x 300 x 160	1	FL204B	FL254B
500 x 300 x 200	2	FL209B	FL259B
500 x 400 x 200	2	FL213B	FL263B
650 x 400 x 200	2	FL216B	FL266B
650 x 500 x 250	2	FL221B	FL271B
800 x 600 x 300	2	FL229B	FL279B
1200 x 850 x 300	1	FL327B	FL527B

¹ FL201B made of polycarbonate

Orion Plus GRP Enclosure Accessories



FL96Z



FL81Z



FL97Z



FL863Z

Description	Cat ref.
Key lock to be mounted on the triangular lock, supplied with 2 keys no 427 for h ≤ 800	FL96Z
Key lock to be mounted on the triangular lock, supplied with 2 keys no 427 for h ≤ 1150	FL98Z
Replacement lock 1 set of 2 locks with male square 8mm with 1 key	FL81Z
Replacement lock 1 set of locks double-bar 3mm with 1 key	FL97Z
Plastic wall fixing brackets delivered with fixing screws M 6x12 on enclosure set of 4 pieces	FL863Z
Depth adjustment slide for enclosures 300mm	FL672E

Orion Plus GRP Enclosure Plain Mounting Plates

Steel sheet 2mm thickness, aluminium zinc. Fixed directly to the back of the enclosure or on the sides allowing the in-depth setting (fitting with slides FL450A). For dimensions see page 2.21.



FL408A

For enclosures	Dimensions Height x Width (mm)	Cat ref.
FL201B	300 x 250	FL41G
FL102A, FL152A	300 x 250	FL402A
FL104A, FL105A, FL204B, FL154A, FL155A, FL254B	350 x 300	FL404A
FL110A, FL209B, FL160A, FL259B	500 x 300	FL407A
FL112A, FL213B, FL162A, FL263B	500 x 400	FL408A
FL117A, FL118A, FL216B, FL167A, FL168A, FL266B	650 x 400	FL412A
FL120A, FL221B, FL170A, FL271B	650 x 500	FL413A
FL124A, FL229B, FL174A, FL279B	800 x 600	FL415A
FL126A, FL176A	900 x 600	FL416A
FL128A, FL178A	950 x 800	FL417A
FL327B, FL527B	1150 x 850	FL522E

Blank Front Cover for Modular Chassis

For enclosures	Width	Cat ref.
FL980A, FL981A	300mm	FL02Z
FL992A, FL993A	400mm	FL03Z
FL994A	500mm	FL04Z
FL996A, FL997A	600mm	FL05Z
FL998A	800mm	FL06Z

Equipment Kits for Modular Chassis

On Chassis

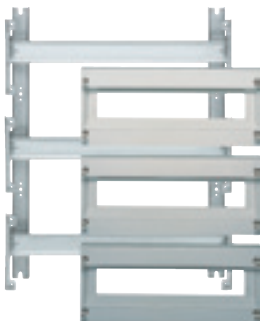
Only for FL980A and FL981A, composed of:

- DIN rails (slide length 44mm) assembled on chassis and adjustable in depth (of front plates with slide).

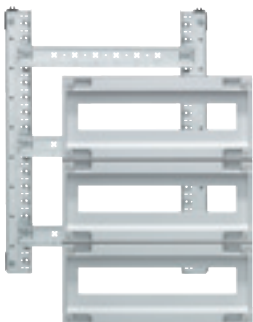
On Vertical Rail

Composed of:

- 2 vertical rail, DIN rail (slide length 44mm).
- Front plates with slit.
- A cross-rail allowing the assembly of bars on base and slides).



FL981A



FL992A

For enclosures	Rows (modules)	Cat ref.
FL104A, FL105A, FL204B, FL154A, FL155A, FL254B	2 rows (24)	FL980A
FL110A, FL209B, FL160A, FL259B	3 rows (36)	FL981A
FL112A, FL213B, FL162A, FL162A, FL263B	3 rows (48)	FL992A
FL117A, FL118A, FL216B, FL167A, FL168A, FL266B	4 rows (64)	FL993A
FL120A, FL221B, FL170A, FL271B	4 rows (88)	FL994A
FL124A, FL229B, FL174A, FL279B	5 rows (130)	FL996A
FL126A, FL176A	6 rows (156)	FL997A
FL128A, FL178A	6 rows (222)	FL998A

Description

Brass terminals with/without support for neutral/earth/phase connections.

Colour Code

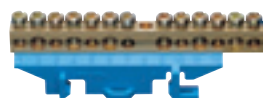
Neutral = Blue support
 Earth = Green/Yellow support
 Phase = Brown support

Insulated support can be fitted on DIN rail with KZ060 rail clip or flat bar 12 x 2mm.

Brass Terminals ≤ 60A With Support



KM04L



KM13N

Connections: number + section	Neutral Cat ref.	Earth Cat ref.	Phase Cat ref.
2 x 16 + 2 x 10mm ² 4 Connections Length 30mm	-	-	KM04L
3 x 16 + 4 x 10mm ² 7 Connections Length 49mm	KM07N	KM07E	KM07L
5 x 16 + 5 x 10mm ² 10 Connections Length 67mm	KM10D	KM10F	-
5 x 16 + 6 x 10mm ² 11 Connections Length 73mm	KM11N	KM11E	KM11L
2 x 16 (Double Drive) + 8 x 10mm ² 10 Connections Length 69mm	KM10N	KM10E	-
6 x 16 + 7 x 10mm ² 13 Connections Length 85mm	KM13N	KM13E	-
1 x 25 + 5 x 16 + 5 x 10mm ² 11 Connections Length 85mm	-	KM11B	-
1 x 25 + 8 x 16 + 8 x 10mm ² 17 Connections Length 121mm	KM17N (2 supports)	KM17E	-
1 x 25 + 11 x 16 + 13 x 10mm ² 25 Connections Length 169mm	KM25N	KM25E	-

Brass Terminals ≤ 60A Without Support

Connections: number + section	Cat ref.
2 x 16 + 2 x 10mm ² 4 Connections Length 30mm	K140
3 x 16 + 4 x 10mm ² 7 Connections Length 49mm	K142
5 x 16 + 5 x 10mm ² 10 Connections Length 67mm	K143
5 x 16 + 6 x 10mm ² 11 Connections Length 73mm	K144
2 x 16 (Double Drive) + 8 x 10mm ² 10 Connections Length 69mm	K145
6 x 16 + 7 x 10mm ² 13 Connections Length 85mm	K148
1 x 25 + 5 x 16 + 5 x 10mm ² 11 Connections Length 85mm	K151
1 x 25 + 8 x 16 + 8 x 10mm ² 17 Connections Length 121mm	K156
1 x 25 + 11 x 16 + 13 x 10mm ² 25 Connections Length 169mm	K158
1 x 25 + 8 x 16 + 29 x 10mm ² Long Length Terminals Length 242mm	K159
1 x 25 + 16 x 16 + 61 x 10mm ² Fixing on Flat Bar	K160F
12 x 2 with Supports Length 482mm	

Terminal Supports

For K140 - K160 terminals insulating material M4 x 8 fixing screws



KZ012

Description	Cat ref.
Blue Support for Neutral	KZ012
Green / Yellow Support for Earth	KZ013
Beige Support	KZ014

Rail Clip

For fixing terminals on DIN Rails not for; KM04L, KM10D, KM10F, KM10N, KM10E



KZ060

Description	Cat ref.
Mounts on DIN Rail Width 50mm	KZ060

Description

To prewire incoming & outgoing circuits in distribution boards.

Colour Code

Neutral = Blue
Earth = Green / Yellow
Phase = Beige



KX04F

KX04H

Terminals 750V~

Phase Terminals - Beige, Neutral Terminals - Blue, Earth Terminals - Yellow / Green

Min / Maximum size in mm ²	Width in mm	Phase Terminals Cat ref.	Neutral Terminals Cat ref.	Earth Terminals Cat ref.
0.5 - 4mm ²	5	KX04F	KX04N	KX04H
0.5 - 6mm ²	6	KX06F	KX06N	KX06H
1.5 - 16mm ²	10	KX16F	KX16N	KX16H
4 - 25mm ²	12	KX25F	KX25N	KX25H
16 - 50mm ²	16	KX50F ¹	KX50N	KX50H

¹ For use in larger depth enclosures, please consult us.

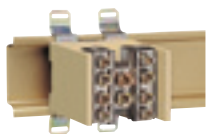
End Plates Beige

Description	Width in mm	Cat ref.
For: KX04F, N, H, KX06F, N, H	1.5	KW025
For: KX16F, N, H, KX25F, N, H	-	KW026
For: KR50F, N, H	1.5	KW031

End Stops

Description	Width in mm	Cat ref.
Insulated material	8.5	KW033

Connection Blocks in ≤ 125A Single Pole



K037

Description	Width in mm	Cat ref.
Incoming 2 x 25mm ² , Outgoing 4 x 16mm ²	2.5	K018
Incoming 2 x 35mm ² , Outgoing 4 x 25mm ²	2.5	K037



KB163P

Insulated Single Pole Busbars - Prong

Description	Cat ref.
63A 13 Modules Single Pole Brown Insulation (Phase)	KB163P
63A 13 Modules Single Pole Blue Insulation (Neutral)	KB163N
100A 24 Modules Single Pole	K171UK
Endcaps for Single Pole Busbars	KZ021



KB263C

Insulated Double Pole Busbars - Prong

Description	Cat ref.
63A 24 Modules Double Pole	KB263C
80A 56 Modules Double Pole	KB280B
10 Endcaps for Double Pole Busbars	KZ023A



KB363C

Insulated Triple Pole Busbars - Prong

Description	Cat ref.
63A 24 Modules Triple Pole	KB363C
80A 56 Modules Triple Pole	KB380B
10 Endcaps for Triple Pole Busbars	KZ023A

Insulated Four Pole Busbars - Prong

Description	Cat ref.
63A 24 Modules Four Pole	KB463C
80A 56 Modules Four Pole	KB480B
Endcaps for Four Pole Busbars	KZ024

Cable Connectors



KF50SB



KF83D

Description	Cat ref.
Connection terminal - Cable connection up to 50mm ² Direct busbar connection (Forked or Prong) 160A/ 690V	KF50SB
Prong Type Connection from the Top for Cables 25mm ²	KF81A
Prong Type Connection from the Top for Cables 16mm ²	KF82A
Prong Type Connection from the Side for Cables 35mm ²	KF83D
Fork Type Connection from the Side for Cables 25mm ²	KF84A

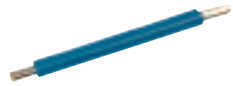
Neutral Assembly

Description	Cat ref.
DIN Rail Mounted 5 x 16mm ² and 9 x 10mm ²	KM14N

Insulated Flexible Links 100A Rating



KE01R



KE01B

Ends of connectors	Colour	Length	Cat ref.
○ ○	Brown	122mm	KE01R
○ ○	Blue	122mm	KE01B
○ ○	Brown	236mm	KE02R
○ ◐	Blue	236mm	KE02B
○ ○	Brown	330mm	KE03R
○ ◐	Blue	300mm	KE03B
○ ○	Blue	355mm	KE04B
○ ○	Brown	500mm	KE06R
○ ○	Blue	550mm	KE07B

○ = Connection to modular device ◐ = Connection to terminal bar

Insulated Busbars - Fork



KD190B



KDN263B

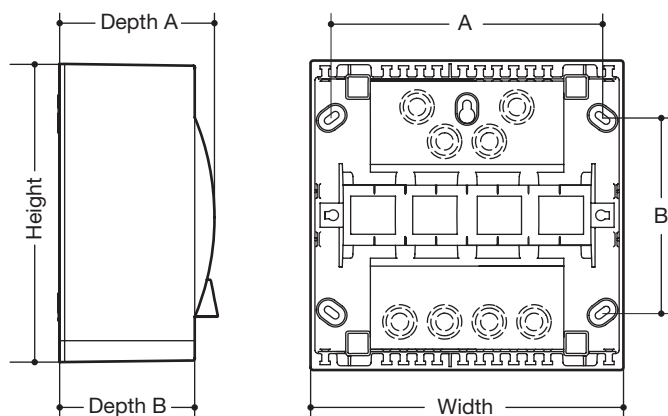
Description	Cat ref.
100A 57 Modules Single Pole (Section: 20mm ²)	KD190B
63A 24 Modules Double Pole Insulated (Section: 10mm ²)	KDN263B
63A 57 Modules Triple Pole Insulated	KDN363B
63A 56 Modules Four Pole Insulated (Section 10mm ²)	KDN463B

Insulating Strip



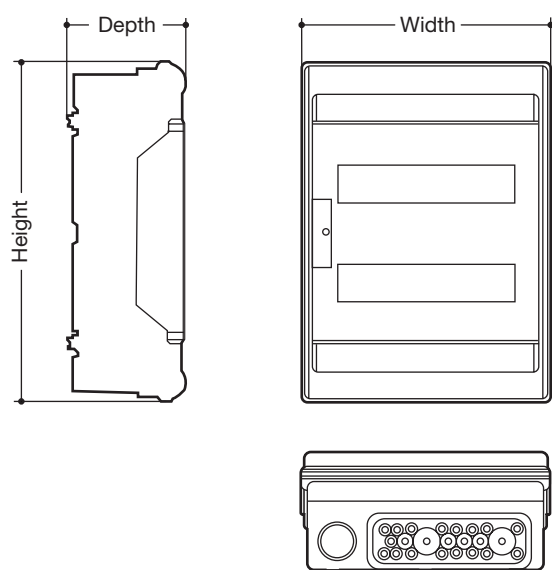
KZ059

Description	Cat ref.
Insulation Strip for Shrouding Busbars 5 Modules	KZ059



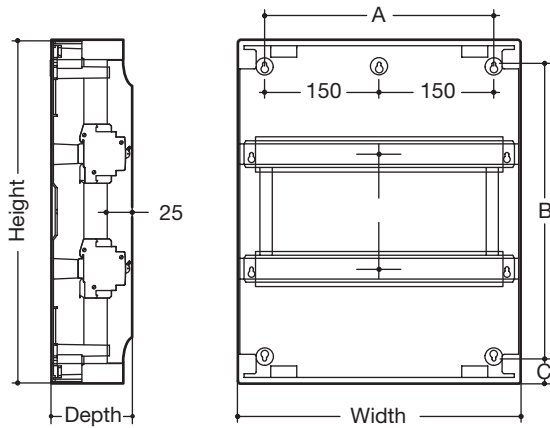
Mini Gamma

	Dimensions (mm)				Fixing Centres	
	Width	Height	Depth A	Depth B	A	B
GD102E	55	160	82	94	N/A	N/A
GD104E	110	180	82	94	86	114
GD106E	146	180	82	94	122	114
GD108E	182	180	82	94	159	114
GD110E	218	180	82	94	195	114



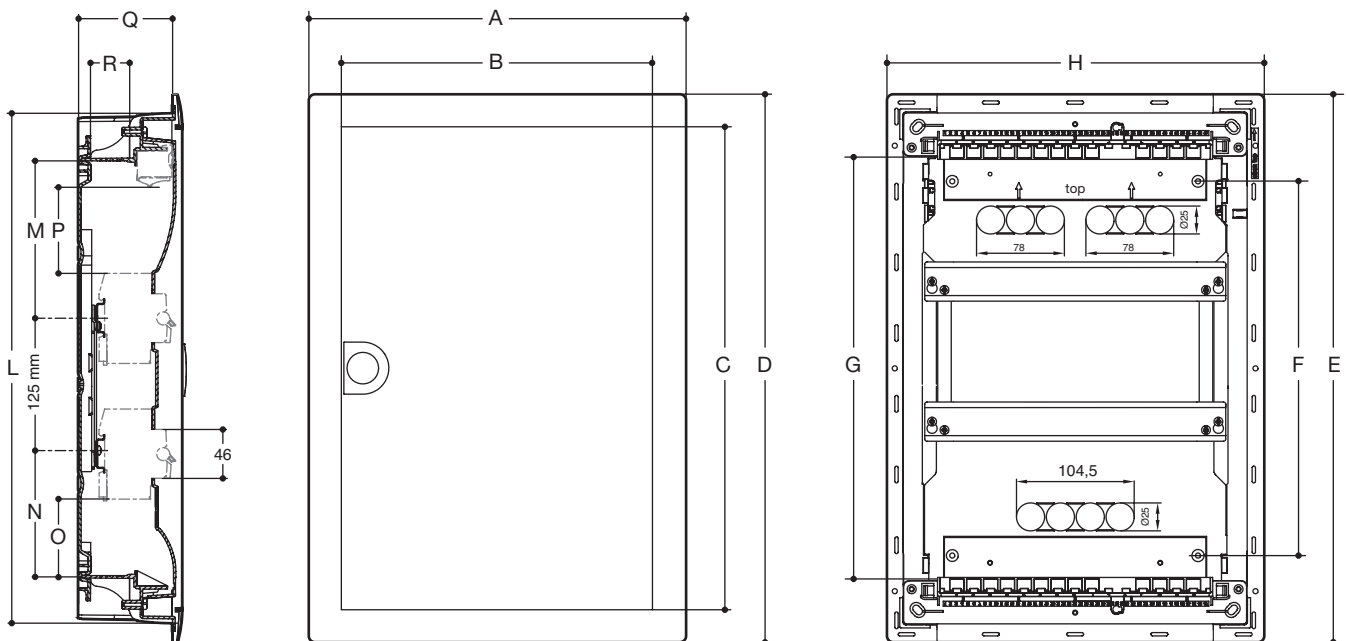
Vector II Weatherproof Enclosures

	Dimensions (mm)		
	Width	Height	Depth
VE103U	110	175	93
VE106U	164	190	113
VE110U	236	210	114
VE112U	310	302	151
VE212U	310	427	151
VE312U	310	552	151



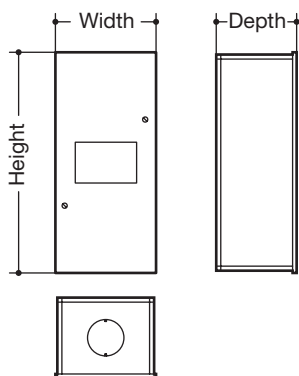
Vega Enclosures

	Dimensions (mm)					
	Width	Height	Depth	A	B	C
VB18B	370	300	145	300	236	32
VB18R	370	300	145	300	236	32
VB36B	370	450	145	300	386	32
VB36R	370	450	145	300	386	32
VB54B	370	600	145	300	536	32
VB54R	370	600	145	300	536	32



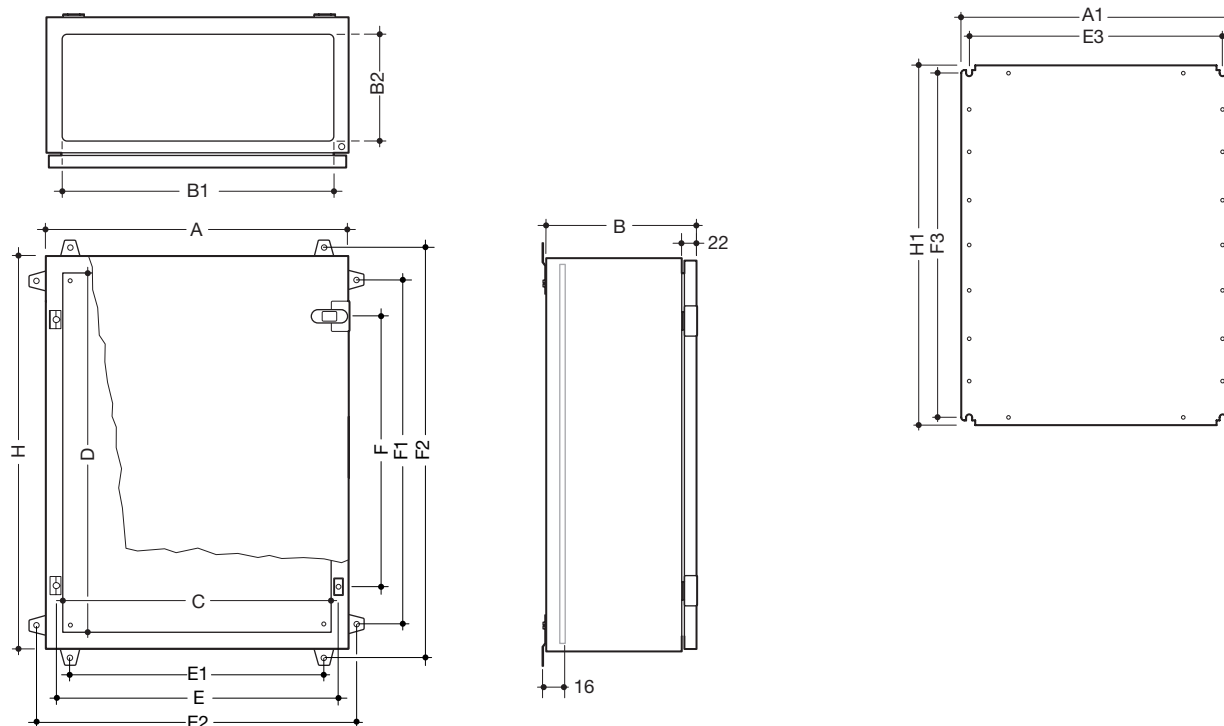
Volta II Enclosures

	Dimensions (mm)															
	A	B	C	D	E	F	G	H	L	M	N	O	P	Q	R	
VE12EP	348	288	296.5	356.5	335	185	224	330	321	130	104	56	64	89	40	
VU24EP	348	288	445.5	505.5	484	334	373	330	470	144	114	66	79	89	40	
VU36EP	348	288	570.5	630.5	609	459	498	330	595	144	114	66	79	89	40	
VU48EP	348	288	695.5	755.5	734	584	623	330	720	144	114	66	79	89	40	



Enclosures and Switch Fuses

	Dimensions (mm)			Connection	Knockouts
	Width	Height	Depth		
IU41	50	152	61.5	Earth only	2 x 20mm
IU2	80	152	61.5	Earth only	2 x 20mm
IU3		152	61.5	Earth only	2 x 20mm
IU2/D		152	87.5	Earth only	2 x 20mm
IU2/GD		152	87.5	Earth only	2 x 20mm
IU3/D		152	87.5	Earth only	2 x 20mm
IU42		312	61.5	Earth only	2 x 20mm
IU42/D	312	100	Earth only	2 x 20mm	
IU4	115	187	61.5	Earth only	2 x 25mm
IU4/D		187	87.5	Earth only	2 x 25mm
IU44	125	312	73.5	Earth only	None
IU45		312	73.5	Earth only	None
IU44/D		312	99.5	Earth only	None
IU44/GD		312	99.5	Earth only	None

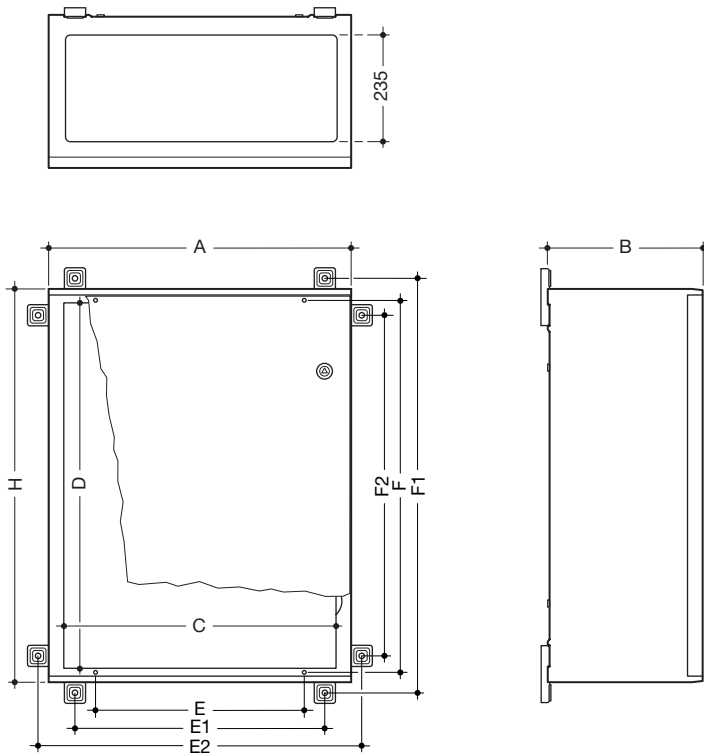


Metal Enclosures Dimensions

References	Rows	Dimensions (mm)							Outside Fixing				Inside Fixing	
		A	H	B	B1	B2	C	D	E1	E2	F1	F2	E	F
FL102A	-	250	300	160	195	80	200	250	210	320	220	332	169	208
FL104A	2	300	350	160	245	80	250	300	260	370	272	382	219	258
FL105A	2	300	350	200	245	120	250	300	260	370	272	382	219	258
FL110A	3	300	500	200	245	120	250	450	260	370	422	532	219	408
FL112A	3	400	500	200	345	120	350	450	360	470	422	532	319	408
FL117A	4	400	650	200	345	120	350	600	360	470	572	682	319	558
FL118A	4	400	650	250	345	170	350	600	360	470	572	682	319	558
FL120A	4	500	650	250	445	170	450	600	460	570	572	682	419	558
FL124A	5	600	800	300	545	220	550	750	560	670	722	832	519	708
FL126A	6	600	950	300	545	220	550	900	560	670	872	982	519	858
FL128A	6	800	950	300	745	220	750	900	760	870	872	982	719	858

Mounting Plate Dimensions

Full plates	Perforated plates	For enclosures	Plate dimensions (mm)		Fixing plates	
			A1	H1	E3	F3
FL402A	FL472A	FL102A	193	280	169	208
FL404A	FL473A	FL104A, FL105A, FL204B	243	330	219	258
FL407A	FL474A	FL110A, FL209B	243	480	219	258
FL408A	FL475A	FL112A, FL213B	343	480	219	408
FL412A	FL476A	FL117A, FL118A, FL216B	343	630	319	408
FL413A	FL477A	FL120A, FL221B	443	630	319	558
FL415A	FL479A	FL123A, FL124A, FL229B	543	780	319	558
FL416A	FL480A	FL125A, FL126A	543	930	419	558
FL417A	FL481A	FL127A, FL128A	743	930	419	558
FL522E	-	FL327B, FL527B	693	1080	719	858



GRP Enclosure Dimensions

References	Rows	Dimensions (mm)						Inside Fixing		Outside Fixing		
		A	H	B	C	D	E	F	E1	E2	F1	F2
FL201B	1	250	300	160	-	-	-	-	-	-	-	-
FL204B	2	300	350	160	250	300	219	258	339	339	269	389
FL209B	3	300	500	200	250	450	219	408	339	339	419	539
FL213B	3	400	500	200	350	450	319	408	439	439	419	539
FL216B	4	400	650	200	350	600	319	558	439	439	569	689
FL221B	4	500	650	250	450	600	419	558	539	539	569	689
FL229B	5	600	800	300	550	750	519	708	639	639	719	839
FL327B	-	850	1200	300	750	1050	-	-	-	-	-	-