

# New generation volta flush enclosures

For installation under plaster and in hollow wall mounting

When building or renovating residential buildings, compact solutions are often required for electrical and multimedia installations.

The volta small distribution board is especially suitable thanks to its easy assembly in walls as well as its manifold versions with 30% larger wiring space by lateral wiring trunking and larger upper and lower connection areas.



## Your benefits

- Protection against power theft - the screws can be sealed
- High degree of safety - the door lock can be retrofitted without requiring any additional conversions.
- Large selection of design variants
- Installation even in thin walls
- 30% more wiring space
- Power distributor
- Shorter mounting time
- Swift mounting in cavity walls

## Characteristics

- From 1 to 4 rows.
- From 12 to 48 modules.
- IP30
- Protection class II, totally insulated

# Expert tips

1



## Larger upper and lower connection areas

Offering more space for terminals and wiring.

5



## By pressing in the screw in the cavity wall anchor

The levers swivel outwards and click into place. The wall sleeve is fixed into place.

2



## All wall sleeves avail of separate side areas

For cable management and retaining clamps.

6



## The slides are removed

Before cables are entered. Pre-punched segments on the side facilitate knockouts.

3



## Retaining clamps

In the door for circuit tables and plans.

7



## New quick connection for the cover

Simply turn to secure or release.

4



## A miniature spirit level

Is integrated in all wall sleeves as an installation aid. It can be used for aligning.

8



## Flat version

Any standard version with 90 mm installation depth can be converted into a "flat version" with 72 mm installation depth using the raising frame.

**Distribution enclosure with metallic door**

1 to 4 rows, 12 to 48

- Assembly of devices: to 63A
- Quick connection for the cover with 90° screw, sealable
- Reversible frame with 15mm perpendicularity adjustment
- Integrated spirit level
- Reversible door with

integrated handle

- Frame height 9mm
  - Brass terminal
  - Side cabling channel
  - Colour : RAL 9010 (pure white)
  - IEC 60439-3
- For Quick Connect terminals, please contact us.  
Delivered with:
- Neutral and earth terminals

- plaster connection

- clip for circuit designation table on door (except 12 enclosure)



IEC60695-2-10  
IEC60695-2-11: 850°C

	Designation	Neutral terminal Neutral terminal Earth terminal	Pack qty.	Cat. ref. plain door
<b>Volta flush mounting enclosures</b>				
	<b>1 row 12</b> L x H 348 x 356 mm	1x25 + 5x16 + 7x10 1x25 + 3x16 + 7x10 1x25 + 5x16 + 7x10	1	<b>VU12IE</b>
<b>VU12IE</b>				
	<b>2 rows 24</b> L x H 348 x 505 mm	1x25 + 7x16 + 7x10 1x25 + 3x16 + 7x10 1x25 + 7x16 + 7x10	1	<b>VU24IE</b>
<b>VU24IE</b>				
	<b>3 rows 36</b> L x H 348 x 630 mm	1x25 + 9x16 + 12x10 1x25 + 3x16 + 7x10 1x25 + 9x16 + 12x10	1	<b>VU36IE</b>
<b>VU36IE</b>				
	<b>4 rows 48</b> L x H 348 x 755 mm	1x25 + 11x16 + 13x10 1x25 + 3x16 + 7x10 1x25 + 11x16 + 13x10	1	<b>VU48IE</b>
<b>VU48IE</b>				
<b>Volta hollow wall flush mounting enclosures</b>				
	<b>1 row 12</b> L x H 348 x 356 mm	1x25 + 5x16 + 7x10 1x25 + 5x16 + 7x10	1	<b>VH12NE</b> -
	<b>2 rows 24</b> L x H 348 x 505 mm	1x25 + 7x16 + 9x10 1x25 + 7x16 + 9x10		<b>VH24NE</b> -
	<b>3 rows 36</b> L x H 348 x 630 mm	1x25 + 9x16 + 12x10 1x25 + 9x16 + 12x10		<b>VH36NE</b> -
	<b>4 rows 48</b> L x H 348 x 755 mm	1x25 + 11x16 + 13x10 1x25 + 11x16 + 13x10		<b>VH48NE</b> -



VZ302N



VZ304N



VZ131N



VZ808N



VZ811N



VZ814N



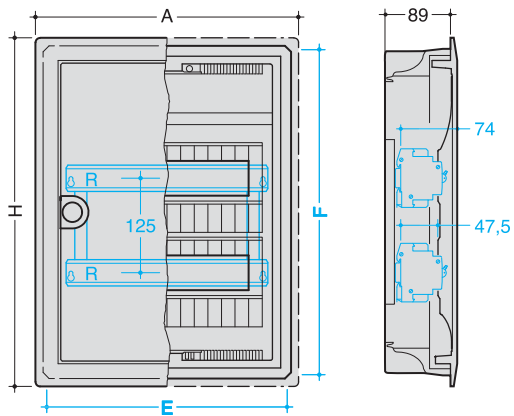
VZ293N



VZ405N

Designation	Characteristics	Pack qty.	Cat. ref.
<b>Keylock standard</b>		1	<b>VZ302N</b>
<b>Spare keys</b> Set of 2 keys	for lock VZ302N	1	<b>VZ304N</b>
<b>Lock bolts</b> Set of 2 lock bolts		1	<b>VZ225N</b>
<b>Transparent door for flush mounting Volta enclosure</b> Frame width 40 mm Colour : RAL 9010 white	1 row	1	<b>VZ131N</b>
	2 rows	1	<b>VZ132N</b>
	3 rows	1	<b>VZ133N</b>
	4 rows	1	<b>VZ134N</b>
<b>Raising frame</b> Allows to convert standard versions into "flat" versions with 72mm installation depth.	for VU12ND	1	<b>VZ111N</b>
	for VU24ND	1	<b>VZ112N</b>
	for VU36ND	1	<b>VZ113N</b>
	for VU48ND	1	<b>VZ114N</b>
<b>Support frame</b> For mirror and picture insert	support frame, Volta, 2 rows, white	1	<b>VZ801N</b>
	support frame, Volta, 3 rows, white	1	<b>VZ802N</b>
	support frame, Volta, 2 rows, black	1	<b>VZ803N</b>
	support frame, Volta, 3 rows, black	1	<b>VZ804N</b>
	support frame, Volta, 2 rows, matt silver	1	<b>VZ807N</b>
	support frame, Volta, 3 rows, matt silver	1	<b>VZ808N</b>
	support frame, Volta, 2 rows, sky blue	1	<b>VZ809N</b>
	support frame, Volta, 3 rows, sky blue	1	<b>VZ810N</b>
<b>Mirror</b>	Mirror for Volta, 2 rows	1	<b>VZ811N</b>
	Mirror for Volta, 3 rows	1	<b>VZ812N</b>
<b>Picture insert</b>	Picture insert, Volta, 2 rows	1	<b>VZ813N</b>
	Picture insert, Volta, 3 rows	1	<b>VZ814N</b>
<b>Pinboard door</b> black expanded plastic plate with aluminium frame colour: silver	Frame, Volta, 2 rows pinboard	1	<b>VZ292N</b>
	Frame, Volta, 3 rows pinboard	1	<b>VZ293N</b>
<b>Mounting kit</b> for hollow wall distribution enclosures		1	<b>VZ405N</b>

**VU24IE - 2 rows 24 I**



**Dimensions in mm**

Ref.		R	enclosure dimension		Wall box hollow wall	
			A	H	E	F
<b>VU12IE</b> /NT	12 I	1	348	356	315	322
<b>VU24IE</b> /NT	24 I	2	348	505	315	471
<b>VU36IE</b> /NT	36 I	3	348	630	315	596
<b>VU48IE</b> /NT	48 I	4	348	755	315	721