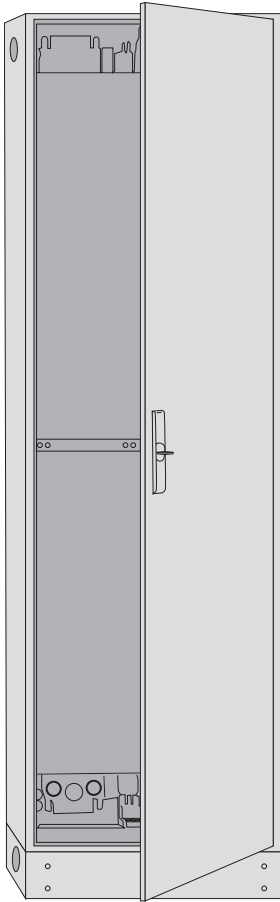


Floor standing cabinet



Floor Standing Cabinet

- Protection Class I ⚡ and II ⚡, IP Rating 43
- for floor standing, **Note: fixing to wall necessary**
- Height 1950 mm (incl. 100 mm plinth)
- Width 1 to 4 fields
- Depth 205 mm
- 144 to 576 module spaces
- RAL Colour 9010 (pure white)
- for fixed interior spacing:
- 3 AC 50 Hz 230/400 V
- 3 AC 50 Hz 400/690 V
- max. electrical feed 400A
- Manufactured by:

Body

- 1 mm Steel, powder coated
- knockouts on both sides for busbar feed on bottom section, no feed possible with the Cu 20/30 x 5/10mm
- PG36 knockouts on both sides on top section
- 1 x horizontal carrier rail built into cabinet

Door

- 1 mm Steel, powder coated
- front flush, right or left catch
- removable, without tools
- internal, adjustable hinges
- Opening angle of door 110°

Door lock

- 3 Point bar lock as standard
- sealable, as standard
- can be exchanged with other locks (also IP54) IP rating will be reduced to IP33

Cable entries per field, as standard:

- earthed: cable entries top, bottom open
- insulation: cable entries top and bottom

Knockouts at the back

- 2 x PG16
- 2 x PG21
- 1 x PG29/36

Plinth

- mounted as standard, 100mm height
- removable frontal face plate
- knockouts at the side (60 mm Ø) for cable feed

Standards

- complies with VDE 0660. part 500, part 504 and part 504/A1
- Standards as per DIN 43870
- IP Rating 43 as per VDE 0470 part 1 (DIN EN 60529)
- IP Rating 3X with open door
- Air & leakage distance as per VDE 0110, part 1 and 2/1.89
- Rated insulation voltage AC 400 V
- Electrical surge category IV
- Pollution grade 2

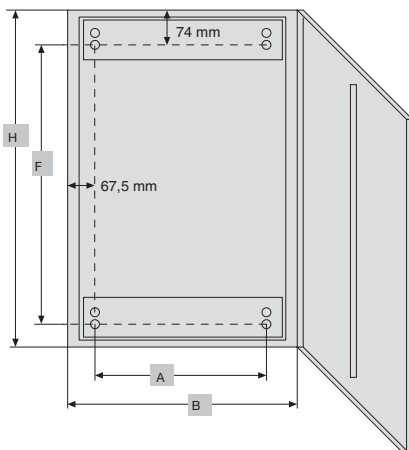
Cable entry per field top

Quantity	max. cable size	diameter
4	3 x 1.5 mm ²	10 mm
17	5 x 2.5 mm ²	13 mm
6	5 x 6 mm ²	18 mm
2	4 x 25 mm ²	30 mm

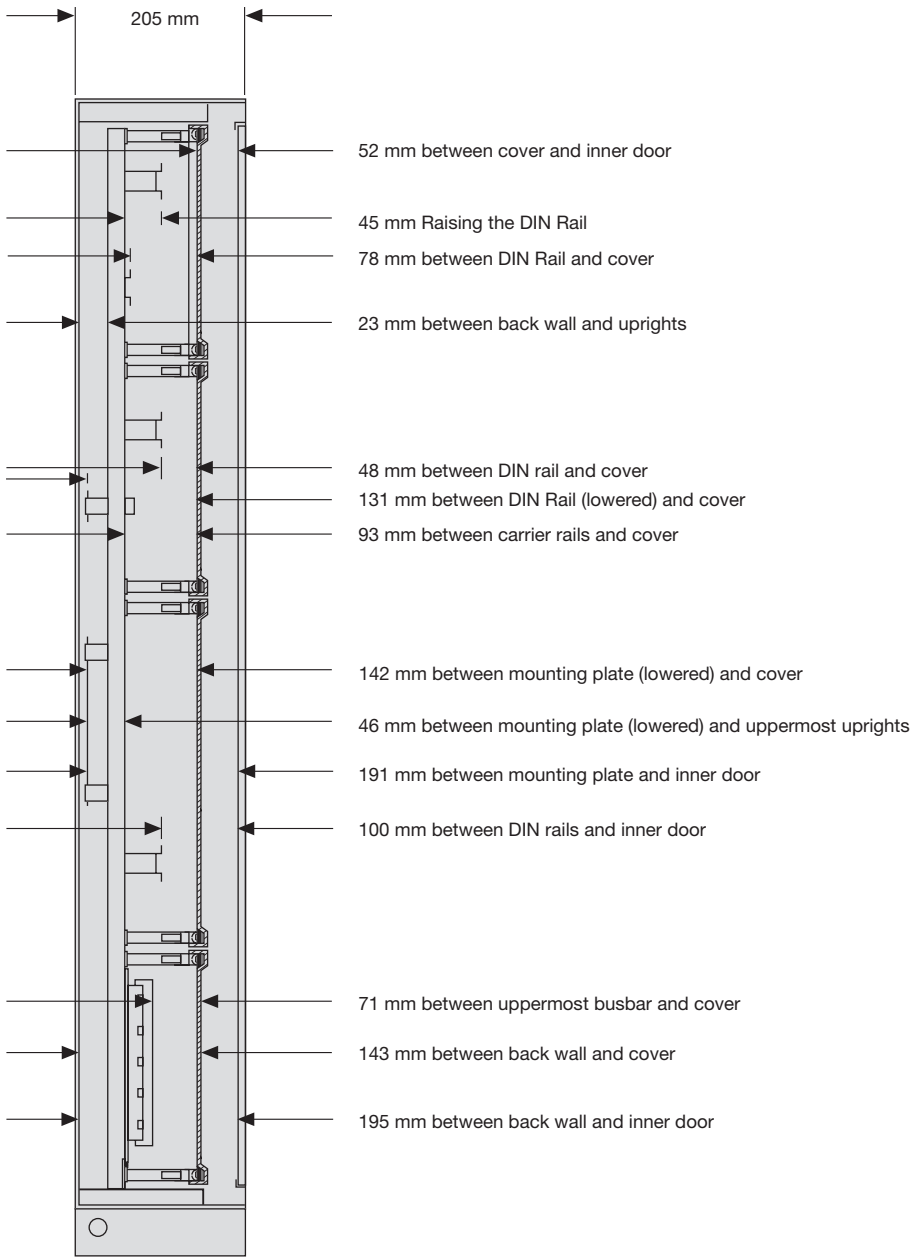
no cable entries on the bottom

Fixing dimensions floor standing cabinet IP 43

H	W				
	300	550	800	1050	
1950	F	1835	1835	1835	1835
	A	165	415	665	915



Floor standing cabinets IP 43 - Dimensions for interior fitting system univers N



Floor standing cabinets IP54, depth 275mm and 350mm

- Protection class I earthed and II insulation protected, IP Rating 54
- Height 1850mm, standing enclosure
- Width 2 to 5 fields
- Depth 275mm and 350mm
- 288 to 720 module spaces
- RAL Colour 7032 (pebble grey)
- for fixed interior arrangement

Interior fitting system available for grid systems:

- 3 AC 50 Hz 230/400 V
 - 3 AC 50 Hz 400/690 V
- with a maximum electrical supply of 630A

Note:

Depth 350mm:

Mounting of the upright fixings normally in 7. and 8. position (from front). If the uprights are positioned deeper, then use accessory (protective cover extensions **FZ851** (≡) or **FZ852** (≡))!

Manufactured from:

Body

- 1.5 mm galvanised steel, powder coated
- knockouts on both sides for busbar feed on top and bottom sections
- 1 set of carrier rails built in, without coupling plates
- 100mm and 200mm plinth can be added

Door

- 1.5 mm galvanised steel, powder coated
- internal hinges, right or left catch
- variable expanded polystyrene, temperature and oil resistant insulation
- opening angle of door 162°
- from width 1050mm double door

Door lock

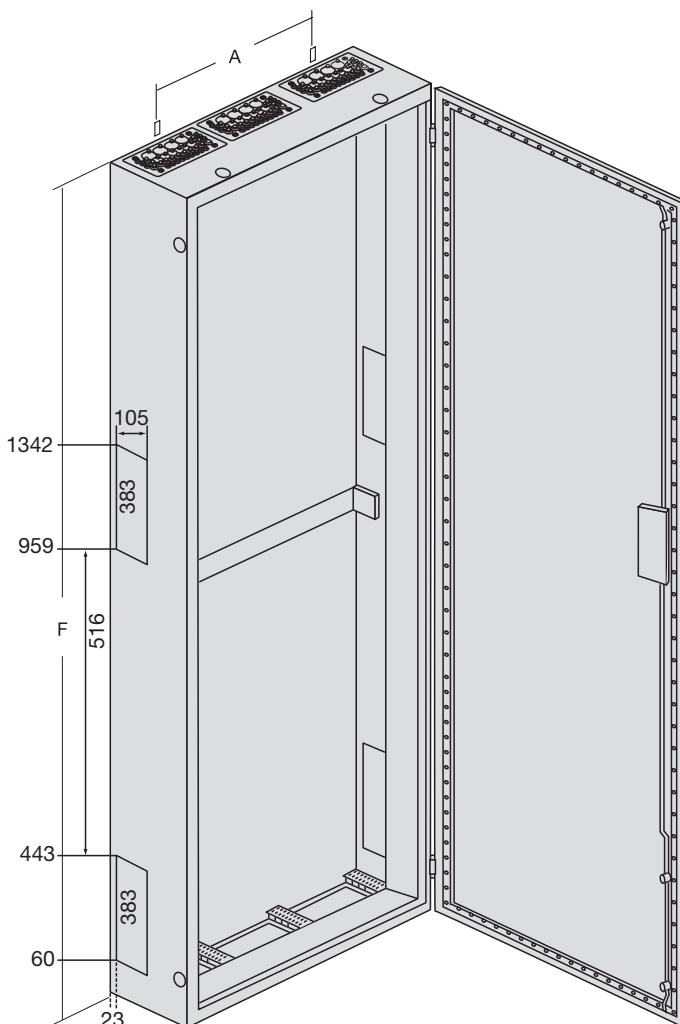
- 3 Point bar lock with turning knob and key label as standard
- can be exchanged with other IP54 locks, e.g. half cylinder locks

Cable entries per field as standard:

- upper universal cable entry of 2 components, exchangeable with all entry flanges for IP54 cabinets
- bottom open, no entry flange necessary when using a plinth, however can be used to maintain IP54 rating

Universal cable entries for IP54 cabinets

Entry possibilities



Number of cables	Cable diameter (mm) from-to	Cable section from-to (mm²)		
		NYM	NYJ	H07RN-F
24	9 - 11.5	3x1.5 - 5x1.5	1x4 - 1x16	-
12	11 - 16	3x2.5 - 5x4	1x16 - 3x6	-
4	12.5 - 20	3x4 - 5x10	3x2.5 - 5x6	-
2	13 - 27.5	3x4 - 4x25	3x2.5 - 4x25	-
2	16 - 32	3x6 - 4x35	3x6 - 4x50	-
1	25 - 50	4x25 - 5x25	3x25 - 3x240	1x120 - 4x70

Standards

- complies with VDE 0660, part 500
- Dimensions as per DIN 43870
- IP Rating 54 as per VDE 0470 part 1 (DIN EN 60529)
- IP rating 3X with door open
- Air & leakage distance as per VDE 0110, part 1 and 2/1.89
- Rated insulation voltage AC 800 V
- Electrical surge category III/IV
- Pollution grade 3
- Insulation material class II

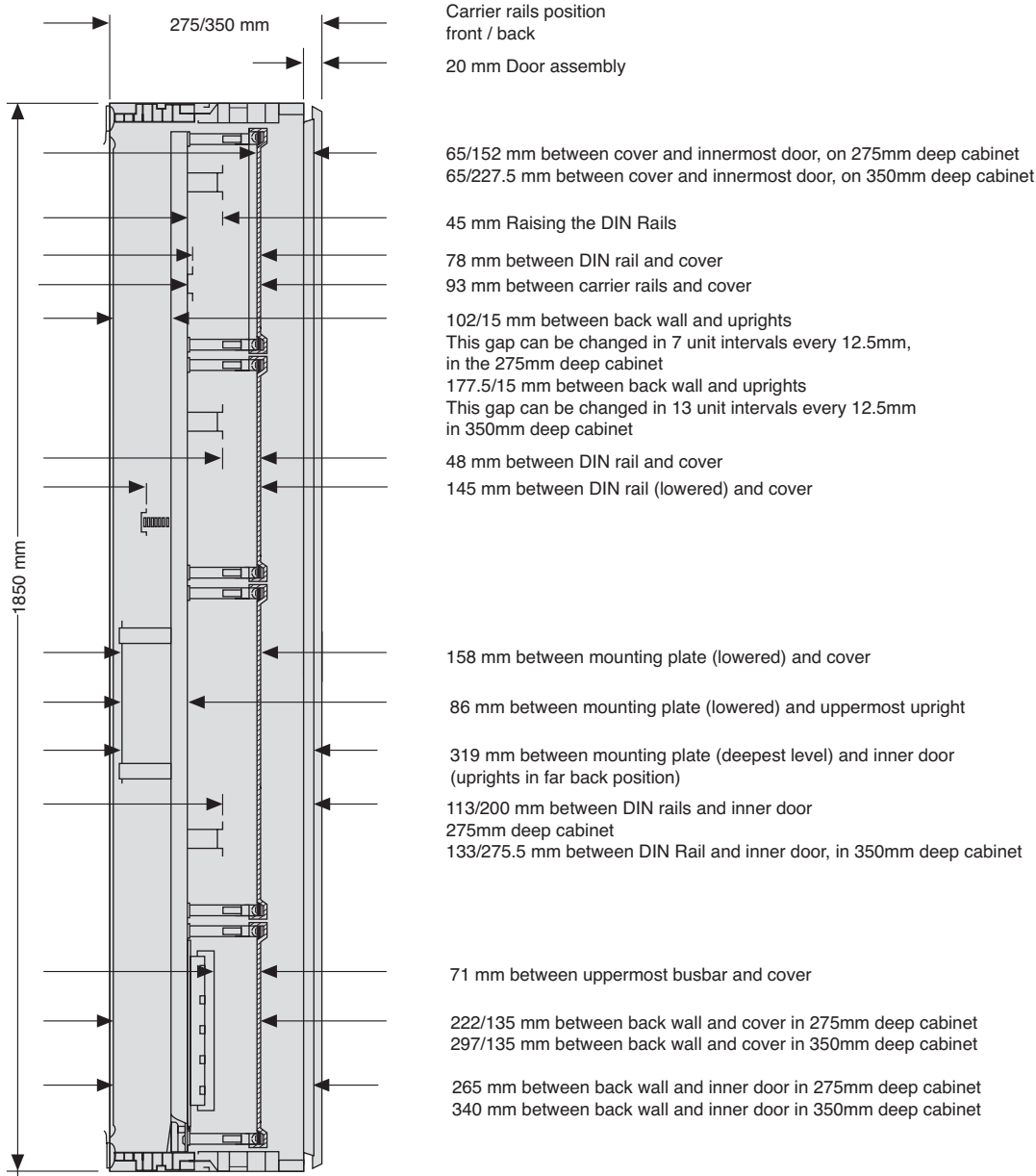
Fixing dimensions of floor standing cabinets IP 54, Depth 275mm and 350mm

H		W				
		300	550	800	1050	1300
1850	F	1887	1887	1887	1887	1887
	A	155	405	655	905	1155

**Floor standing cabinets IP54, depth 275mm and 350 mm -
Dimensions for interior fitting system univers N**

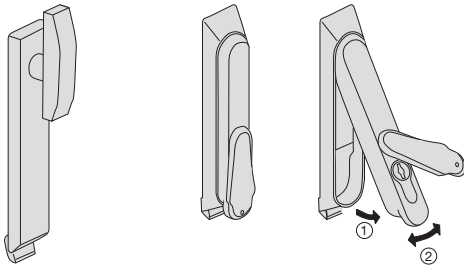
- measured with carrier rails in front and back position

The uprights can be fixed on different levels (with module spacing 12.5mm in 7/13, 350mm deep)

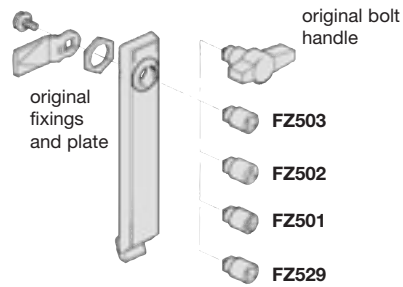


Cabinets IP 54
Locks for cabinets IP 54

Turning T-Handle Ratchet Handle



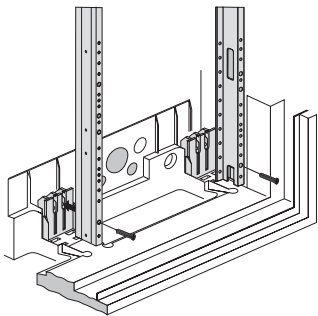
Interchangeable locks



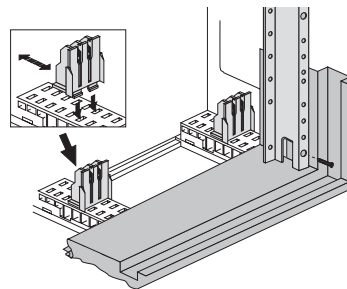
Fixing the uprights in IP43 and IP54 Cabinets

Cabinets IP 43
 Per field: use 2 uprights
 With 2 and 3 field kits: use 2 uprights

Mounting the uprights



Cabinets IP54, wall and floor standing

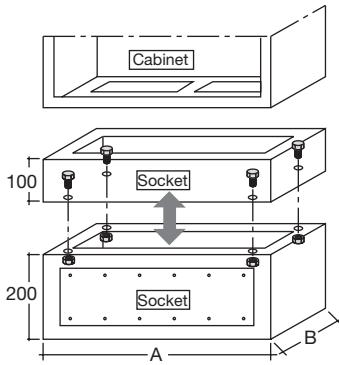


Note:
 When using the busbar connectors between cabinet to cabinet (all depths), the uprights must be mounted at the furthest position back. With IP54 cabinet, 350mm deep, protective strip extensions must be used - FZ851 (⊕) / FZ852 (⊞).

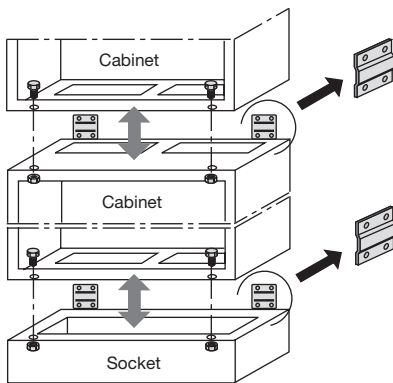
General description

- 100mm or 200mm high
- For mounting under floor standing cabinets
- 200mm plinth with cable rails except linkable cabinets
- top and bottom open
- Body made of 1.5mm steel, powder coated
- removable face plate with:
100mm plinth for 218mm deep cabinet
200mm plinth for all cabinets except linkable cabinets

Socket for IP43 and IP54 Cabinets, vertical connection IP43 and IP54 cabinets

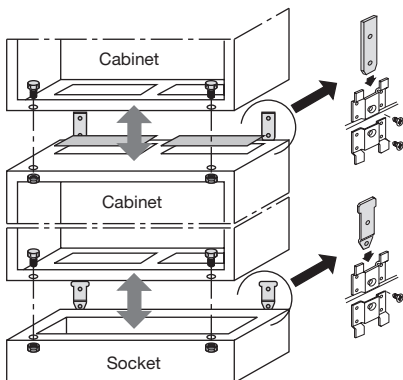


Connection



Vertical connection IP43 Cabinets

The socket will be delivered with a connection set.

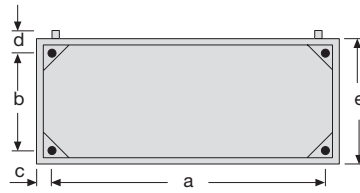


Vertical connection IP54 Cabinet

The socket will be delivered with a connectio set (except socket for IP54 Cabinets 218mm deep.)

Fixing dimensions for plinths (IP43 Cabinet)

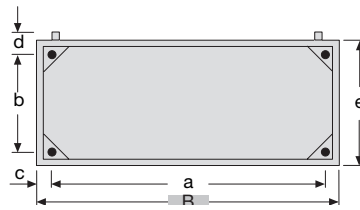
Plinth



a	b	c	d	e	Fields					Height
					2	3	4	5		
446	94	52	62	205	x					100
446	94	52	62	205	x					200
696	94	52	62	205		x				100
696	94	52	62	205		x				200
946	94	52	62	205			x			100
946	94	52	62	205			x			200
1196	94	52	62	205				x		100
1196	94	52	62	205				x		200

Fixing dimensions for plinths for IP54 floor standing cabinets 275mm and 350mm deep

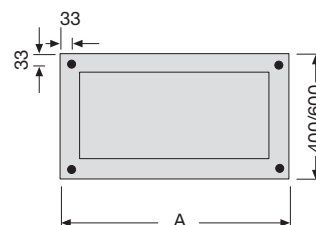
Plinths



a	b		c	d	e		Fields					Height
	275	350			275	350	1	2	3	4	5	
196	150	225	52	62	255	330	x					100
196	150	225	52	62	255	330	x					200
446	150	225	52	62	255	330		x				100
446	150	225	52	62	255	330		x				200
696	150	225	52	62	255	330			x			100
696	150	225	52	62	255	330			x			200
946	150	225	52	62	255	330				x		100
946	150	225	52	62	255	330				x		200
1196	150	225	52	62	255	330					x	100
1196	150	225	52	62	255	330					x	200

Fixing dimensions for plinths for linkable cabinets 400/600mm deep

Floor fixing dimensions of plinth (height: 100mm, 200mm) for univers linkable cabinets)



Fields	A in mm
1	350
2	600
3	850
4	1100
5	1350
6	1600