

Load break switches with visual breaking, 20 to 125A
- modular design,
- to mount directly on DIN rail,
- lockable in OFF position.

Comply with NF EN 60 947-3.

Connection:
with collar terminals copper
conductors compatible.

Connection capacity:
- HAB 20 to 63A:
16 mm² flexible or rigid cables

- HAC 60 to 100A:
35 mm² flexible or rigid cables
- HAD 100 and 125A:
70 mm² flexible or rigid cables



HAB406



HZC113



HZC212



HZC311

Designation	Characteristics	In/A	Width in		Cat. ref.	
			3P	4P	3P	4P
Load break switches visual breaking	disconnecter modular design IP20 In=lth, AC23	20A	2,6	3,5	HAB302	HAB402
		32A	2,6	3,5	HAB303	HAB403
		40A	2,6	3,5	HAB304	HAB404
		63A	2,6	3,5	HAB306	HAB406
		63A	3	4,5	HAC306	HAC406
		80A	3	4,5	HAC308	HAC408
		100A	3	4,5	HAC310	HAC410
		100A	4,5	6	HAD310	HAD410
		125A	4,5	6	HAD312	HAD412
External handles IP55 lockable with 3 padlocks	for LBS 20 to 100A				HZC010	HZC010
	for LBS 100 to 125A				HZC011	HZC011
Shaft extensions	20 to 125A, 150mm				HZC111	HZC111
	20 to 125A, 200mm				HZC112	HZC112
	20 to 125A, 320mm				HZC113	HZC113
Terminal shrouds top and bottom 2 pieces / packaging	20 to 63A				HZC211	HZC212
	63 to 100A				HZC213	HZC214
	100 to 125A				HZC215	HZC216
Auxiliaries contacts In = 10A	1O + 1F		0,5	0,5	HZC311	HZC311
	2F		0,5	0,5	HZC312	HZC312

Load break switches with visible breaking 100 to 400A



Load break switches with visible breaking, 100 to 400A
- modular design,
- to mount directly on DIN rail for LBS up to 200A,
- lockable in OFF position.

HA964N and HA966N are with double visible breaking

(upstream and downstream).
Mounting on plate.

Comply with NF EN 60 947-3.

Connection:

- HAE: with collar terminals
copper conductors compatible,
- HA308, HA408, HA964N and

HA966N on terminal.

Connection capacity:

- HAE 100 to 160A:
70 mm² flexible or rigid cables
- HA308, HA408:
95 mm² end lugs,
- HA964N: 150 mm² end lugs,
- HA966N: 240 mm² end lugs.



HAE416



HZC014



HZC218



HZ022

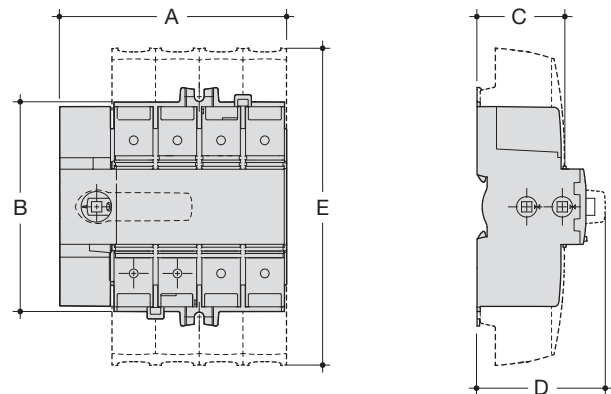
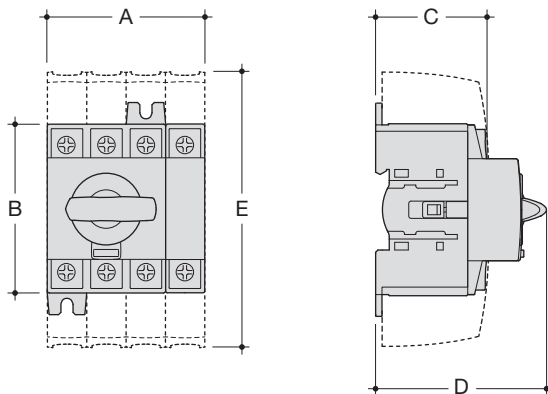
Designation	Characteristics	In/A	Width in		Cat. ref.	
			3P	4P	3P	4P
Load break switches visible breaking	disconnecter modular design IP20	100A	6,5	8	HAE310	HAE410
		125A	6,5	8	HAE312	HAE412
		160A	6,5	8	HAE316	HAE416
		200A	8,5	8,5	HA308	HA408
		250A	-	11,5	-	HA964N
		400A	-	19,5	-	HA966N
External handles IP55 lockable with 3 padlocks	for LBS 100 to 160A				HZC014	HZC014
	for HA308, HA408, HA964N and HA966N				HZC001	HZC001
Shaft extensions	200 mm, for HA308 and HA408				HZC103	HZC103
	300 mm, for HA308 and HA408				HZC104	HZC104
	for HAE 100 to 160A, 150mm				HZC114	HZC114
	for HAE 100 to 160A, 200mm				HZC115	HZC115
	for HAE 100 to 160A, 320mm				HZC116	HZC116
Terminal shrouds top and bottom	100 to 160A				HZC217	HZC218
	for HA408				-	HZ062
	for HA964N				HZ095	HZ095
	for HA966N				HZ096	HZ096
Collar terminals	for HA308 and HA408 copper, 95mm ²				HZ082	HZ082
	for HA964 aluminium/copper, 185mm ²				HZ093	HZ093
Auxiliaries contacts	1NC + 1NO for HA308 and HA408		0,5	0,5	HZ022	HZ022

Main incomers

HAB, HAC, HAE switches

HAB402, HAB403, HAB404, HAB406, HAC408

HAE410, HAE412, HAE416



Dimensions (in mm)

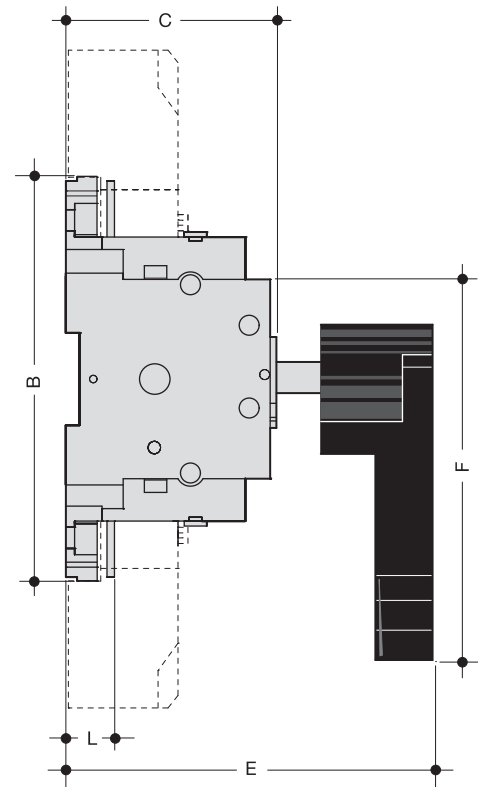
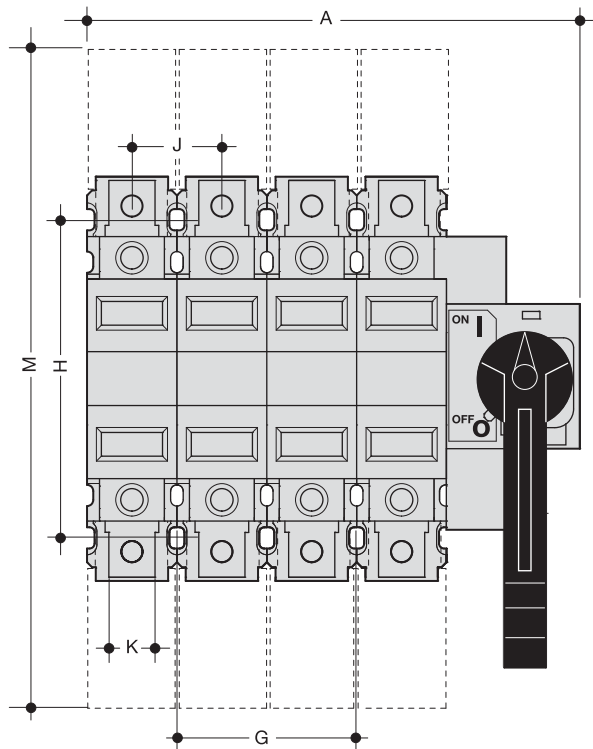
	with visual breaking				with visible breaking
	HAB302, HAB303, HAB304, HAB306	HAB402, HAB403, HAB404, HAB406	HAC306, HAC308, HAC310	HAC406, HAC408, HAC410	HAE410, HAE412, HAE416
A	45	60	54	71.5	135
B	68	68	76	76	124.5
C	48,5	48.5	48,5	48.5	50.5
D	75	75	75	75	76
E	110	110	110	110	189

Technical characteristics

	HAB302 HAB402	HAB303 HAB403	HAB304 HAB404	HAB306 HAB406	HAC306 HAC406	HAC308 HAC408	HAC310 HAC410	HAD310 HAD410	HAD312 HAD412	HAE310 HAE410	HAE312 HAE412	HAE316 HAE416
In	20 A	32 A	40 A	63 A	63 A	80 A	100 A	100 A	125A	100 A	125 A	160 A
rated insulation voltage U_i (V)	800	800	800	800	800	800	800	800	800	800	800	800
rated impulse withstand voltage U_{imp} (kV)	8	8	8	8	8	8	8	8	8	8	8	8
le AC 22 at 400 V (A)	20	32	40	63	63	80	100	100	125	100	125	160
le AC 23 at 400 V (A)	20	32	40	63	63	80	100	100	100	100	125	125
motor power AC 23A à 400 V~ (kW)	9	15	18.5	30	30	37	45	45	55	45	55	75
rated short-circuit breaking capacity in association with gG DIN fuse (kA)	50	50	50	50	50	50	50	50	50	100	65	50
current rated range (A)	20	32	40	63	63	80	100	100	125	100	125	160
short-circuit making capacity I_{cc} (A peak)	6 000	6 000	6 000	9 000	9 000	9 000	9 000	12 000	12 000	12 000	12 000	12 000
rated short-time withstand current for 1s I_{cw} (kA eff)	2.5	2.5	2.5	2.5	3	3	3	5	5	7	7	7
mechanical endurance (nr of operations)	100 000	100 000	100 000	100 000	100 000	100 000	100 000	100 000	100 000	50 000	50 000	50 000
connection (mm ²)	16	16	16	16	35	35	35	70	70	70	70	70

HA switches

HA964N - HA966N



Main incomers

Technical characteristics

	HA964N	HA966N
electrical characteristics		
rated current	250 A	400 A
rated insulation voltage U_i (V)	800	800
rated impulse withstand voltage U_{imp} (kV)	8	8
Ie AC 22A at 400 V (A)	250	400
Ie AC 23A at 400 V (A)	250	400
rated short-circuit breaking capacity (A)		
dynamic effect (peak)	11 900	15 300
thermal effect (eff. 1 s)	7 000	9 000
rated short-circuit current (kA)	80	50
with gI - gG fuses	250 A	400 A
mechanical endurance (nr of operations)	10 000	10 000
electrical connection		
cage terminal (mm ²)	185	-
bolt terminal (Ø mm)	M 8	M 8
lugs (mm ²)	150	240

Dimensions (in mm)

	HA964N	HA966N
A	201	344
B	162	214
C	85	80
E	140	135
F	145	145
G	72	132
H	130	172
J	36	66
K	18	45
L	20	20
M	268	360